

Overview CAM HD-M

High resolution digital camera for video surveillance and RiTa license plate recognition systems



Description

Modern and robust **3MPixel** professional camera with **IR Illuminator** and **motorized lens** particularly suitable both for video-surveillance and **license plate recognition overview** systems (ANPR).

The resolution of **3 Megapixel** allows you to capture every detail of the image under all conditions.

Two models, the first equipped with **9-22mm motorized lens** and a powerful illuminator up to **50m** and the second with **3-10mm motorized lens** and an illuminator up to **30m**, both with the integrated bracket easily adjustable, ensure a fast installation and the ability to adapt to any condition.

Advanced WDR (Wide Dynamic Range), Multi Shutters (100dB) and 3D Noise Reduction functions guarantee the highest performance in all light conditions.

The **IP67** hard coated cover of the camera and the anti corrosion powder coating, allows its installation both indoors and outdoors. Moreover the operation is guaranteed even at extreme IR temperatures from **-40° C** up to **60° C**.

This series is also available for **license plate recognition** (ANPR), with optimized performance for LPR application and the same mechanics for maximum aesthetic yield of the system.

ELIMOS Srl

HEADQUARTER

c/o AREA Science Park
Padriciano 99
34149 Trieste – Italy
Tel./Fax: +39 040 3755356
E-mail: info@elimos.it

SALES OFFICE

Tel./Fax: +39 0523 498236
E-mail: vendite@elimos.it



www.elimos.it

Caratteristiche tecniche

CAMERA	OvCAM HD-M1	OvCAM HD-M2
Sensor Size (HxV pixel)	2304 x 1536	
Sensor	Color optimized for low-light performance	
Optical Size	1/3" CMOS	
Max Frame Rate	3MP (2048x1536) @ 30fps – HD 1080P (1920x1080) @ 60fps	
Video output format	H264/MJPEG Multi streaming (3 stream)	
Communication interface	RJ45, 10/100/1000 Mbit/sec Ethernet	
Communication protocol	TCP/IP, HTTP, UDP, RTP, RTSP, FTP, NTP, SMTP, DNS, DHCP, uPnP, ONVIF, IPv4/v6	
Day/Night Function	Auto/Forced color/Forced BW/External day & night	
Image Enhancement	Extreme WDR 100db, AES, AWB, AGC, 3DNR	
Audio Mode	G.711 8KHz/16bits two-way audio (Line IN/OUT)	
Local Storage	Micro SDHC up to 32GB	

LENS

Lens type	Varifocal 9 – 22 mm motorized zoom – 12.5°~29.4° (H)/9.7°~24.8° (V)	Varifocal 3 – 10 mm motorized zoom – 81.9°~33.6° (H)/62.6°~25.5° (V)
Iris Control	P-Iris	

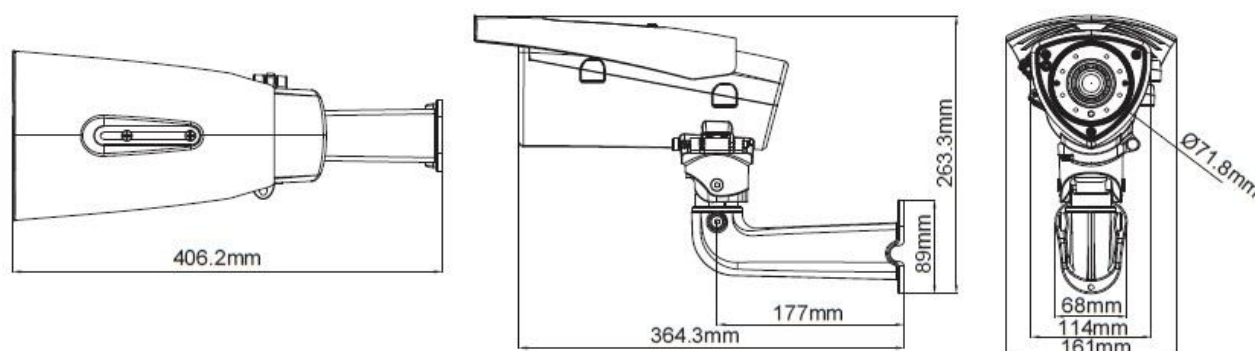
IR ILLUMINATOR

Type	Auto/On/Off, Smart IR+, up to 50m	Auto/On/Off, Smart IR+, up to 30m
Wavelength	850 nm	

MECHANICS/ELECTRONICS

Power requirement	12V DC / 24 VAC / PoE+ (IEEE 802.3at)	
Power consumption	Max 14.6W	Max 14.3W
Dimension (L x W x H)	w/bracket 406.2 mm x 161 mm x 263 mm	
Conformity e IP rating	CE, FCC – IP67	
Vandal Resistant	IK10	
Operating temperature	-40°C ~ +60°C ;	
I/O	1 Input / 1 Output	
Weight	2.1 kg	
Power Supply	Optional	
Connection Box (ConJbox)	Optional	
Cabling	Hidden and protected	

Dimension



OPTIONS (to be ordered separately)

- Power supply for DIN rail **220VAC 24VAC**
- Connection box **ConJBOX** complete with internal electronics, undrilled (the holes and the relative cable tray depend on installation)
- **ConJBOX Cable tray** for the RJ connector **directly mounted on the camera**

For further information about the products and the applications please visit www.elimos.it

