

EpCAM HD-M

High resolution digital camera for RiTa license plate recognition systems



Description

Modern **3MP** IR Network Camera specifically designed for applications of **plate recognition** (ANPR).

The resolution of **3 Megapixel** allows reading of reflective plates even for large gates (up to 2 lanes).

Certified for use with the ANPR **RiTa** application, developed by **Elimos** for the realization of access control systems with license plate recognition, with the highest performance and maximum flexibility of use.

Two models, the first equipped with **9-22mm motorized lens** and a powerful illuminator up to 50m (**15-20m** for ANPR application) and the second with **3-10mm motorized lens** and an illuminator up to 30m (**5-10m** for ANPR application), both with the integrated bracket easily adjustable, ensure a fast installation and the ability to adapt to any condition.

Advanced WDR (Wide Dynamic Range), Multi Shutters (100dB) and Smart Catch Technology, combined with the characteristics of Elimos' **RiTa** application, guarantee the highest performance for license plates recognition in all light conditions up to 100 km/h.

The **IP67** hard coated cover of the camera allows its installation both indoors and outdoors. Moreover the operation is guaranteed even at extreme temperatures up to -40°C .

This series is also available for **video surveillance** (OVERVIEW), and it can be matched with the license plate recognition models, with the same performance and the same mechanics for maximum aesthetic yield of the system.

ELIMOS Srl

HEADQUARTER

c/o AREA Science Park
Padriciano 99
34149 Trieste – Italy
Tel./Fax: +39 040 3755356
E-mail: info@elimos.it

SALES OFFICE

Tel./Fax: +39 0523 498236
E-mail: vendite@elimos.it



Technical characteristics

CAMERA	EpCAM HD-M1	EpCAM HD-M2
Sensor Size (HxV pixel)	2304 x 1536	
Sensor	Color optimized for low-light performance	
Optical Size	1/3"	
Max Frame Rate	3MP (2048x1536) @ 30fps – HD 1080P (1920x1080) @ 60fps	
Video output format	H264, MJPEG stream	
Exposure Control	Shutter adjustable via SW 1/7 ... 1/20.000 s	
Communication interface	RJ45, 10/100/1000 Mbit/sec Ethernet	
Communication protocol	TCP/IP, HTTP, UDP, RTP, RTSP, FTP, NTP, SMTP, DNS, DHCP, uPnP, ONVIF, IPv4/v6	
Day/Night Function	Auto/Forced color/Forced BW/External day & night	
Image Enhancement	true WDR (multiple shutters) 120db, AES, AWB, AGC, 3DNR	
Vehicle speed	0 – 100 km/h	0 – 50 km/h

LENS

Lens type	Varifocal 9 – 22 mm motorized zoom – 12.5°~29.4° (H)/9.7°~24.8° (V)	Varifocal 3 – 10 mm motorized zoom – 81.9°~33.6° (H)/62.6°~25.5° (V)
Effective range of ANPR	up to 15 – 20 m	up to 5 – 10 m

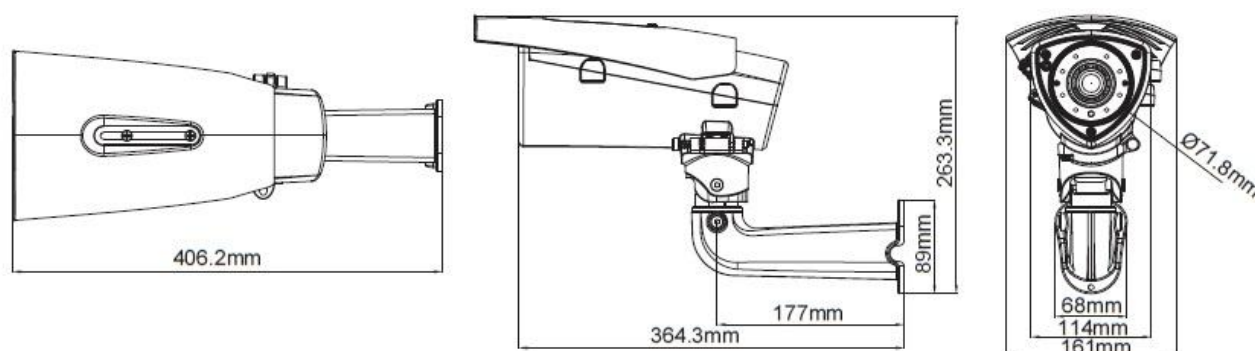
IR ILLUMINATOR

Type	Auto/On/Off, Smart IR+, up to 50m	Auto/On/Off, Smart IR+, up to 30m
Wavelength	850 nm	

MECHANICS/ELECTRONICS

Power requirement	12V DC / 24 VAC / PoE+ (IEEE 802.3at)	
Power consumption	Max 21W	
Dimension (L x W x H)	w/bracket	406.2 mm x 161 mm x 263 mm
Conformity e IP rating	CE, FCC – IP67	
Vandal Resistant	IK10	
Operating temperature	-40°C ~ +60°C ;	
I/O	1 Input / 1 Output	
Weight	2 kg	
Power Supply	Optional	
Connection Box (ConJbox)	Optional	
Cabling	Hidden and protected	

Dimension



OPTIONS (to be ordered separately)

- **Power supply** for DIN rail **220VAC 24VAC**
- Connection box **ConJBOX** complete with internal electronics, undrilled (the holes and the relative cable tray depend on installation)
- **ConJBOX Cable tray** for the RJ connector **directly mounted on the camera**

For further information about the products and the applications please visit www.elimos.it

